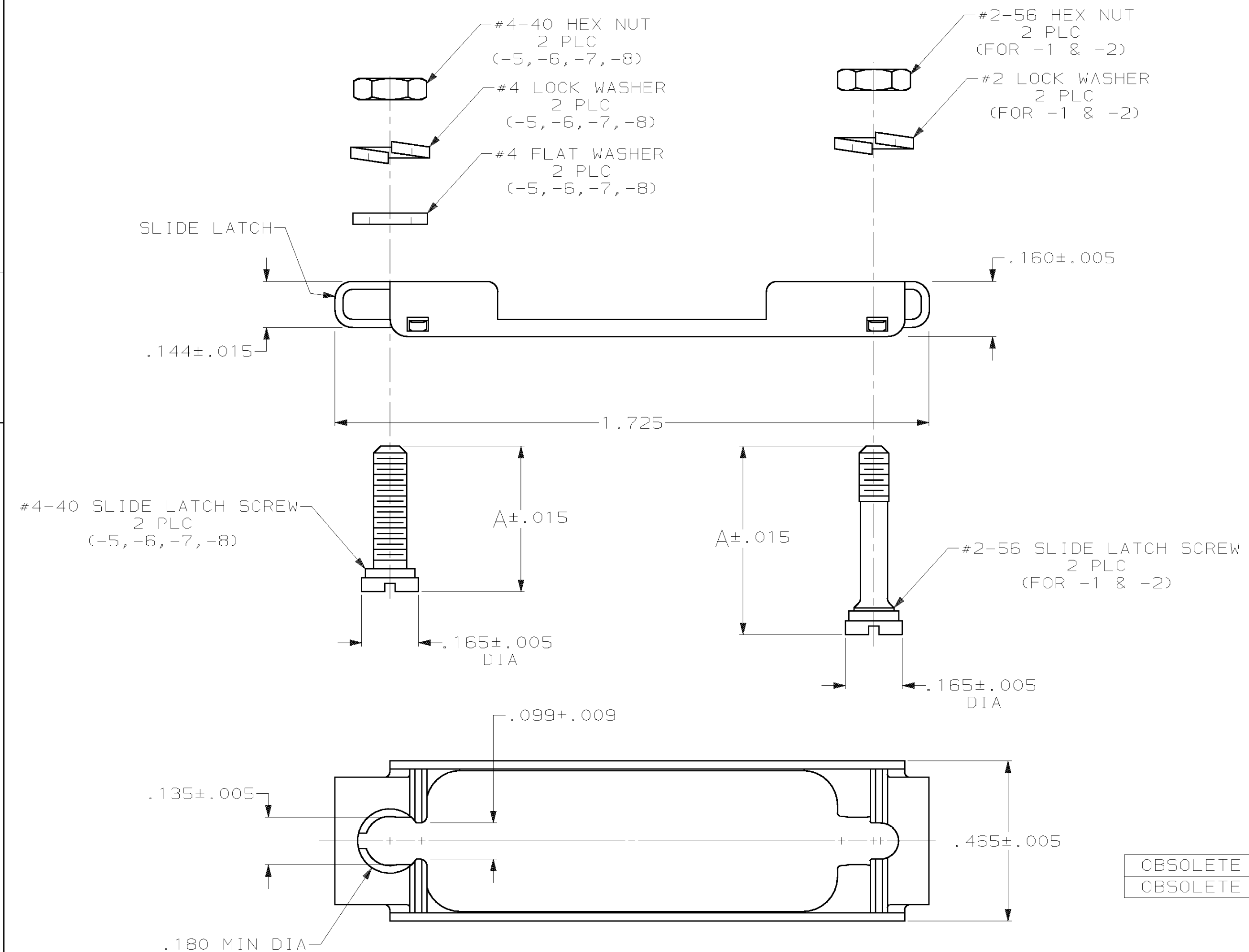


THIS DRAWING IS UNPUBLISHED. RELEASED FOR PUBLICATION, 19 .
 © COPYRIGHT 19 BY AMP INCORPORATED. ALL INTERNATIONAL RIGHTS RESERVED.

LOC	DIST	P	F	ZONE	LTR	DESCRIPTION	DATE	APPD
GP	00							
					E	REVISED & REDRAWN PER ECN-2364	8-16-88	JRS
					F	REVISED ECN-BD3390	12-7-89	JW
					G	REV PER ECN BD4844	04/05/91	BT
					H	OBS -8 PER ECN BD6177	06/16/92	TS
					J	REV PER ECN BD6381	07/10/92	TS
					J1	ADDED -9 PER NPR 4907	08/18/93	SB
					K	OBS -9 PER EC 0020-523-96	13 AUG 96	JS
					L	REV PER EC 0UE0-0002-01	10 JAN 02	JR



1. PARTS PACKAGED UNASSEMBLED.
2. PARTS PACKAGED AS A UNIT KIT.
3. PARTS INDIVIDUALLY BULK PACKAGED AND SHIPPED AS A UNIT PACKAGE.
4. ZINC PLATED PER ASTM B633, TYPE III, CLASS SCI, CLEAR CHROMATE.
5. ZINC PLATED PER ASTM B633, TYPE II, CLASS SCI, YELLOW CHROMATE.
6. THIS KIT CAN BE USED WITH TWO-PIECE STRAIGHT/90° EXIT CABLE CLAMPS, RFI/EMI CABLE CLAMPS OR UNIVERSAL CABLE CLAMPS.
7. THIS KIT CAN BE USED WITH ONE-PIECE STRAIGHT/45° EXIT CABLE CLAMPS, ONE-PIECE STRAIGHT/90° EXIT CABLE CLAMPS OR ON CONNECTORS WITHOUT CABLE CLAMPS.
8. PARTS SMALL PACK PACKAGED.

OBSOLETE	.415	5	#4-40	8	7	745583-9
OBSOLETE	.450	5	#4-40	3	7	745583-8
	.450	5	#4-40	2	7	745583-7
	.415	5	#4-40	3	7	745583-6
	.415	5	#4-40	2	7	745583-5
OBSOLETE	-	4	#2-56	3		745583-4
SUPERSEDED BY -1	-	4	#2-56	2		745583-3
OBSOLETE	.547	4	#2-56	3	6	745583-2
	.547	4	#2-56	2	6	745583-1

DO NOT SCALE PRINT. UNLESS SPECIFIED DIMENSIONS IN INCHES TOLERANCES ON:	DR	CHK	APPD	APPD	PRODUCT SPEC	APPLICATION SPEC	WEIGHT	SIZE	FSCM NO	DRAWING NO	SCALE	SHEET
2 PLC DEC ± -	8-12-88 L.SIPE	8-12-88 W.LENKER	8-15-88 R.WHYNE	8-16-88 J.SHOWERS	-	-	-	C	00779	745583	4:1	1 OF 1
3 PLC DEC ± .010												
ANGLES ± -												
MATERIAL												
SLIDE LATCH: STAINLESS STEEL												
HARDWARE: STEEL PER ASTM A108												
FINISH												
HARDWARE: SEE TABLE												

AMP | AMP INCORPORATED
 Harrisburg, Pa. 17105

NAME
 KIT, SLIDE LATCH, SIZE 2,
 15 POSITION, AMPLIMITE®

SIZE: C
 FSCM NO: 00779
 DRAWING NO: 745583
 SCALE: 4:1
 SHEET: 1 OF 1